

# GM48P+ synchronous motor

Gear ratio:	a: 15, 25, 125/3, 244/3, 164.2, 246.3, 308, 985
	b: 34.6, 128.6, 400, 600, 750, 2400
Temperature range:	operating: -10~55°C ; storage: -20~70°C
Bushing options	1, $\Phi 8 \times \Phi 4 \times 2$ 2, $\Phi 8 \times \Phi 5 \times 2$
	3, $\Phi 10 \times \Phi 6 \times 3.5$ 4, $\Phi 12 \times \Phi 4 \times 2$
Max allowed torque	80N.cm (max)



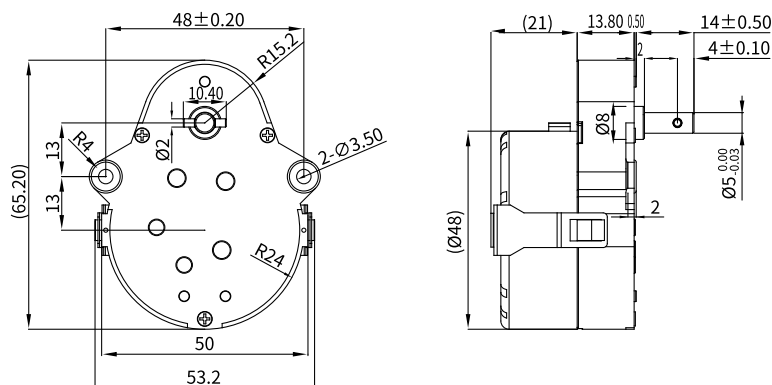
## Specifications

SPECIFICATION	UNIT	GM48PSMS48500								
VOLTAGE	VAC	24; 110; 220								
FREQUENCY	Hz	50/60								
INPUT	W	3W								
CURRENT	A	0.015(220V)								
SPEED RANGE	RPM	0.21	2/3	5/6	1.25	3.04	6	12	20	
TORQUE	KG.CM	90	32	28	19	7.5	3.5	1.7	1	
DIRECTION OF ROTATION		CW ; CCW ; CW/CCW ( FREE )								
Remark		The voltage and shaft can be customized								

## Standard Shaft:

shaft no.: 41.7S03B	shaft no.: 400S03A	shaft no.: 164.2S03C	shaft no.: 750S03D

## Dimensions



# GM48P+ DC motor

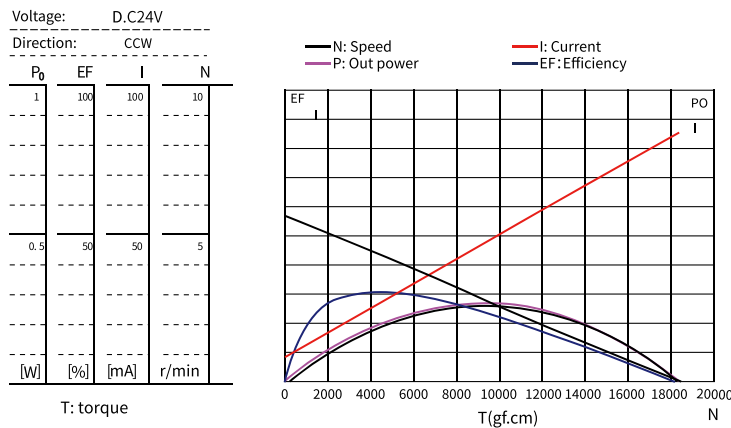
Gear ratio:	a: 15, 25, 125/3, 244/3, 164.2, 246.3, 308, 985
	b: 34.6, 128.6, 400, 600, 750, 2400
Temperature range:	operating: -10~55°C ; storage: -20~70°C
Bushing options	1, $\Phi 8 \times \Phi 4 \times 2$ 2, $\Phi 8 \times \Phi 5 \times 2$
	3, $\Phi 10 \times \Phi 6 \times 3.5$ 4, $\Phi 12 \times \Phi 4 \times 2$
Max allowed torque	80N.cm (max)



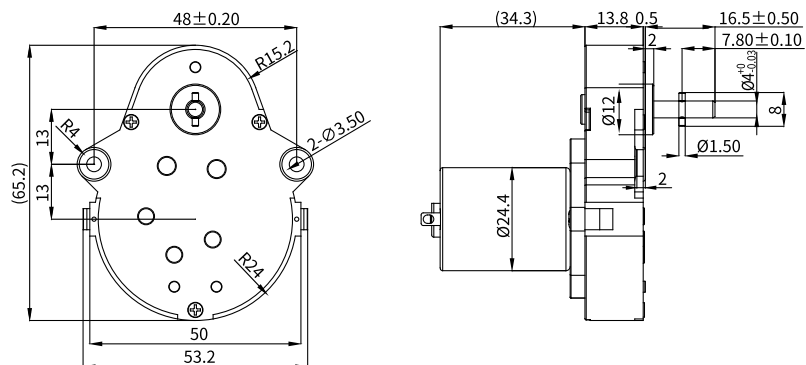
## Specifications

MODEL	VOLTAGE	AT NO LOAD		AT MAXIMUM EFFICIENCY			AT STALL			
		SPEED	CURRENT	SPEED	CURRENT	TORQUE		TORQUE		CURRENT
	V	RPM	A	RPM	A	mN.m	kg.cm	mN.m	kg.cm	A
GM48P400RK370	24	6	0.015	4.80	0.04	294	3.00	1373	14.00	0.10
Note	The specifications and output shaft can be customized									

## Curve:



## Dimensions



# GM50P+ synchronous motor

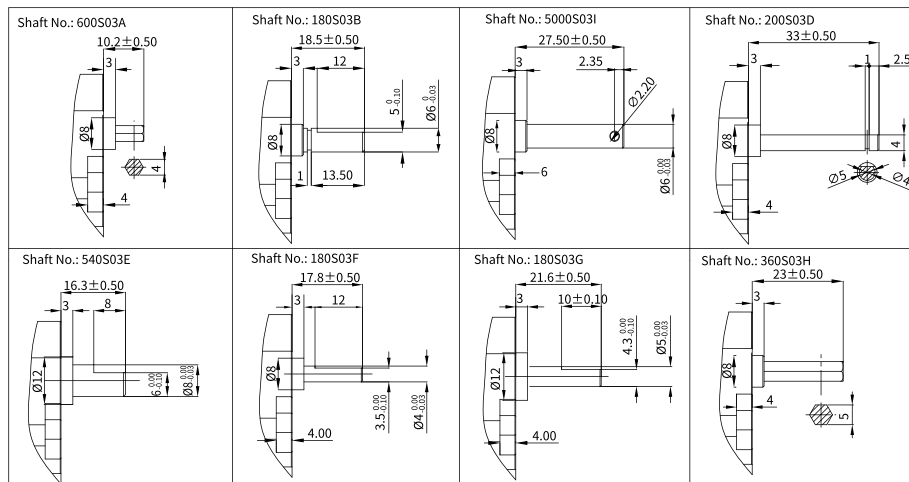
Gear ratio:	a: 20, 60, 180, 200, 360, 540, 600, 750 (UP TO 2500)
	b: 666, 889, 1100, 12345, 1780, 1852, 2000, 2667, 3086, 4000 (UP TO 690000)
Temperature range:	operating: -10~55°C; storage: -20~70°C
Bushing options:	1. $\Phi 8 \times \Phi 4 \times 3$ 2. $\Phi 8 \times \Phi 5 \times 3$
	3. $\Phi 8 \times \Phi 8 \times 3$ 4. $\Phi 12 \times \Phi 8 \times 3$
Max allowed torque	80N.cm (max)



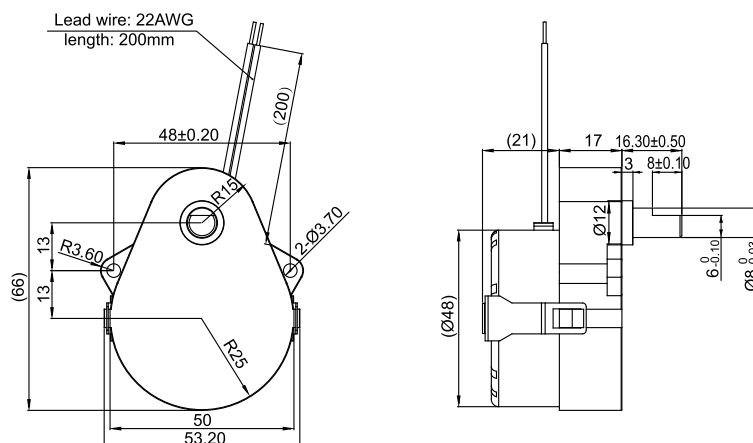
## Specifications

ECIFICATION	UNIT	GM50PSMS48500								
VOLTAGE	VAC	24; 110; 220								
FREQUENCY	Hz	50/60								
INPUT	W	3W								
CURRENT	A	0.015(220V)								
SPEED RANGE	RPM	1/500	2/3	5/6	1	1.25	2.5	5	25	
TORQUE	KG.CM	7500	31	25	21	17	9	4.5	0.9	
DIRECTION OF ROTATION		CW ; CCW ; CW/CCW ( FREE )								
Note		The voltage and shaft can be customized								

## Standard Shaft:



## Dimensions



# GM50P-DC Motor

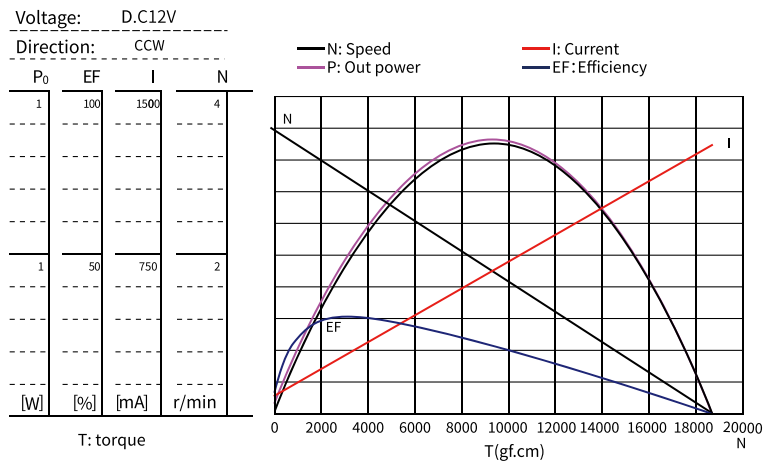
Gear ratio:	a: 20, 60, 180, 200, 360, 540, 600, 750 (up to 2500)
	b: 666, 889, 1100, 12345, 1780, 1852, 2000, 2667, 3086, 4000 (UP TO 690000)
Temperature range:	operating: -10~55°C ; storage: -20~70°C
Bushing options	1, $\Phi 8 \times \Phi 4 \times 3$ (ID/OD)    2, $\Phi 8 \times \Phi 5 \times 3$
	3, $\Phi 8 \times \Phi 8 \times 3$ 4, $\Phi 12 \times \Phi 8 \times 3$
Max allowed torque	80N.cm (max)



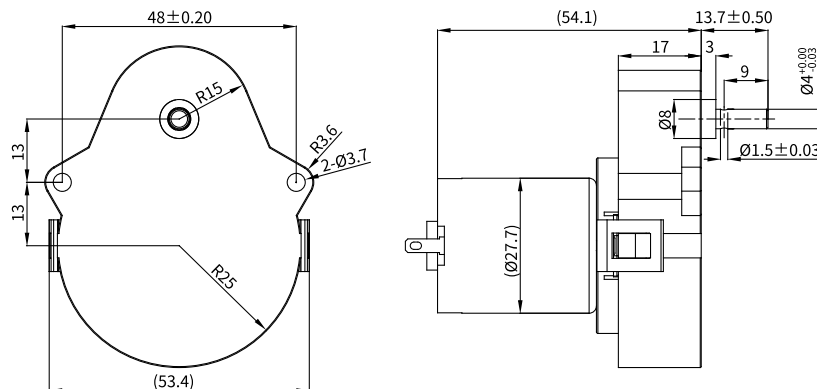
## Specifications

MODEL	VOLTAGE	AT NO LOAD		AT MAXIMUM EFFICIENCY				AT STALL		
		SPEED	CURRENT	SPEED	CURRENT	TORQUE		TORQUE		CURRENT
	V	RPM	A	RPM	A	mN.m	kg.cm	mN.m	kg.cm	A
GM48P400RK370	24	3.60	0.09	3.50	0.12	294	3.00	9316	95.00	1.20
Note	The specifications and output shaft can be customized									

## Curve:



## Dimensions



# GM48+ DC motor

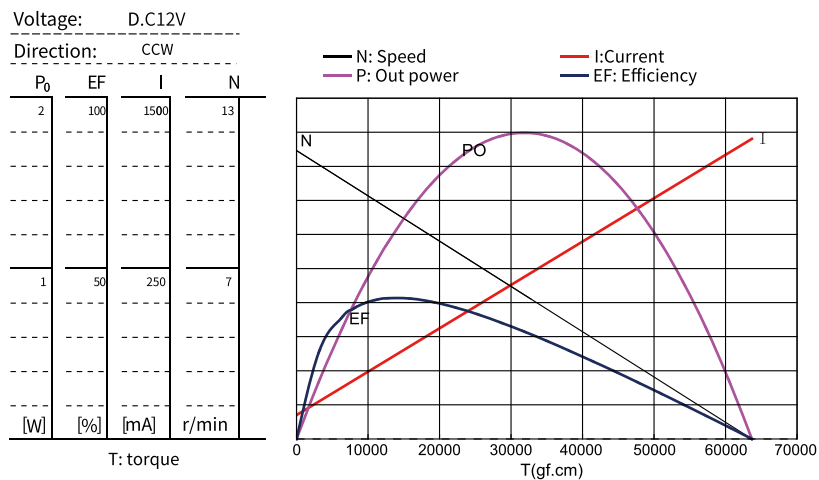
Gear ratio:	a(12.4mm) 11, 19.5, 47.3, 189, 232, 290, 453.6, 529, 567, 661.5, 1221, 1526
	b(19.4mm) 26, 69, 114, 216, 235, 300, 617, 1031, 1944, 2700
Temperature range:	operating: -10~55°C ; storage: -20~70°C
Part Option:	clutch
Gearbox torque:	200N.cm (max)



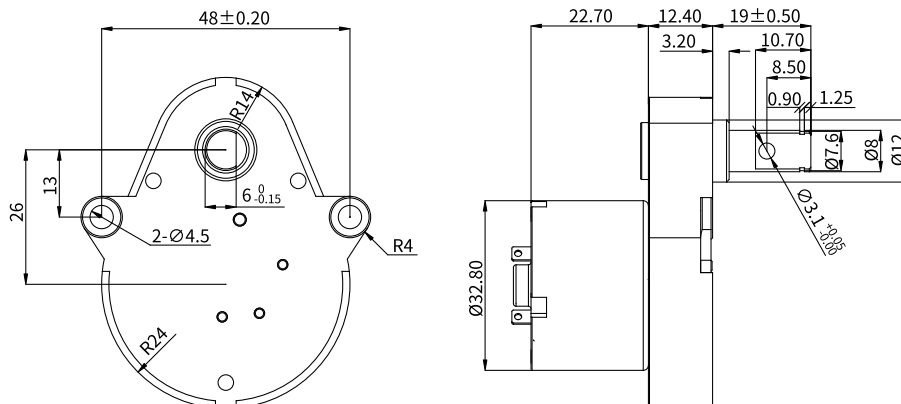
## Specifications

Model	VOLTAGE	AT NO LOAD		AT MAXIMUM EFFICIENCY			AT STALL			
		SPEED	CURRENT	SPEED	CURRENT	TORQUE	TORQUE	CURRENT		
	V	RPM	A	RPM	A	mN.m	kg.cm	mN.m	kg.cm	A
GM48453CR088	24	11.00	0.07	9	0.17	932	9.50	5884	60.00	0.60
GM482700CR088	24	2.20	0.08	2	0.10	1961	20.00	6374	65.00	0.70
Note	The specifications and output shaft can be customized									

## Curve:



## Dimensions



# GM58 GEARED MOTOR

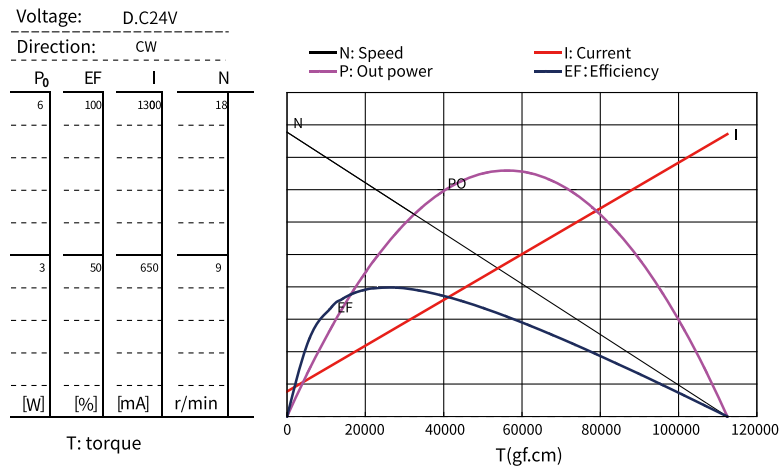
Gear ratio:	49, 195, 844, 1036, 2073
Temperature range:	operating: -10~55°C ; storage: -20~70°C
Part Option:	clutch
Gearbox torque:	300N.cm (max)



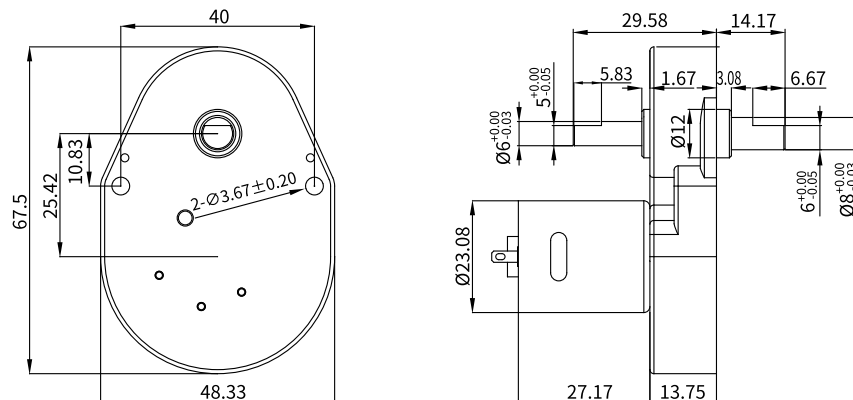
## Specifications

Model	VOLTAGE	AT NO LOAD			AT MAXIMUM EFFICIENCY			AT STALL		
		SPEED	CURRENT		SPEED	CURRENT	TORQUE	TORQUE	CURRENT	
		V	RPM	A	RPM	A	mN.m	kg.cm	mN.m	kg.cm
GM58499-360	24	16	0.15	14	0.25	1275	13.00	9807	100.00	1.20
Note	The specifications and output shaft can be customized									

## Curve:



## Dimensions



# GMF7746 geared motor

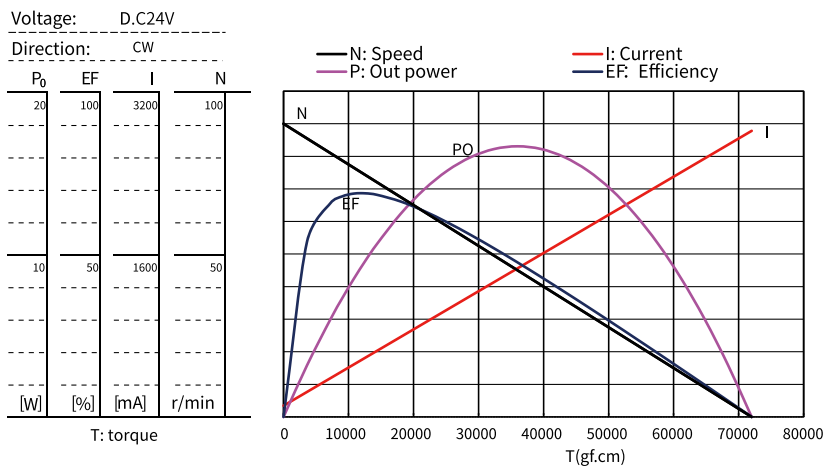
Gear ratio:	74, 135.5
Temperature range:	operating: -10~55°C ; storage: -20~70°C
Part Option:	shaft length L16, 21 29mm
Gearbox torque:	80N.cm (max)



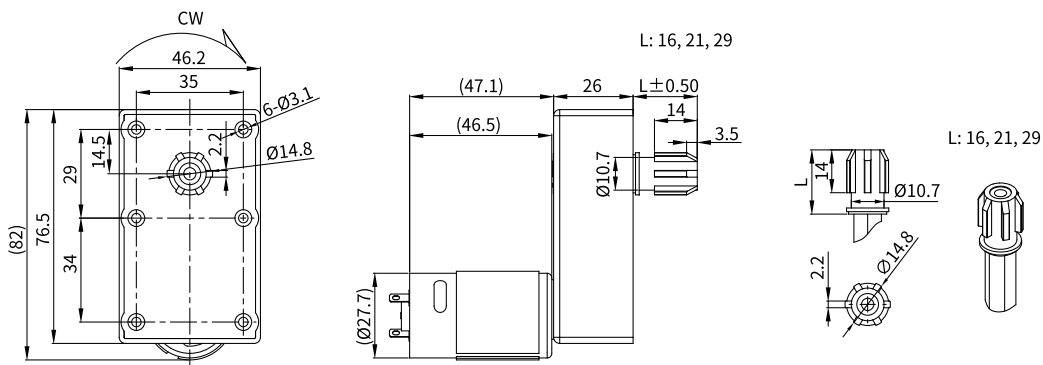
## Specifications

Model	VOLTAGE	AT NO LOAD		AT MAXIMUM EFFICIENCY				AT STALL		
		SPEED	CURRENT	SPEED	CURRENT	TORQUE		TORQUE		CURRENT
		V	RPM	A	RPM	A	mN.m	kg.cm	mN.m	kg.cm
GMF7746-395	24	90	0.10	75.70	0.54	1176	12.00	7350	75.00	2.85
Base motor option	RS360/RS380/RS390/RS550									
Note	The specifications and output shaft can be customized									

## Curve:



## Dimensions



# GMF6136 geared motor

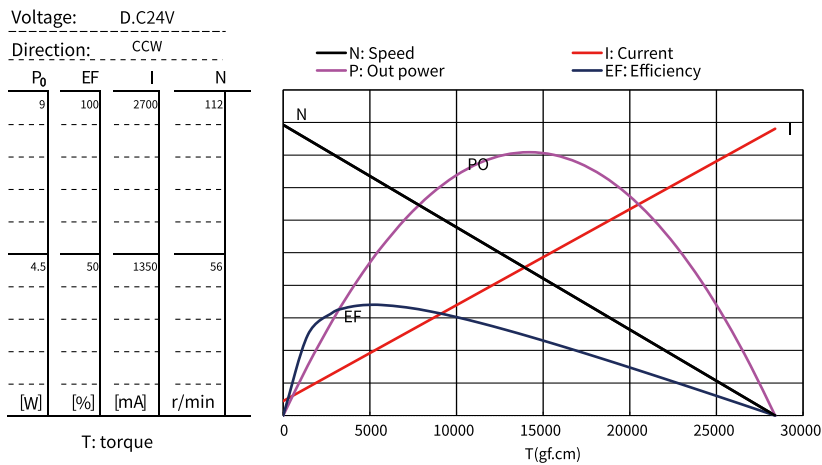
Gear ratio:	79
Temperature range:	operating: -10~55°C ; storage: -20~70°C
Part Option:	external gear
Gearbox torque:	80N.cm (max)



## Specifications

Model	VOLTAGE	AT NO LOAD		AT MAXIMUM EFFICIENCY				AT STALL		
		SPEED	CURRENT	SPEED	CURRENT	TORQUE		TORQUE	CURRENT	
	V	RPM	A	RPM	A	mN.m	kg.cm	mN.m	kg.cm	A
GMF6136-385	24	100	0.10	83	0.49	470.40	4.80	2744	28.00	2.40
Base motor option	RS360/RS380/RS390/RS370									
Note	The specifications and output shaft can be customized									

## Curve:



## Dimensions

